

Article datasheet

**Micro Wire Saddle 4.3x3.0mm/ø1.8mm Polyamid 6.6 UL94-V2 E70062 1.6mm**

Article-No.: 072.78.736

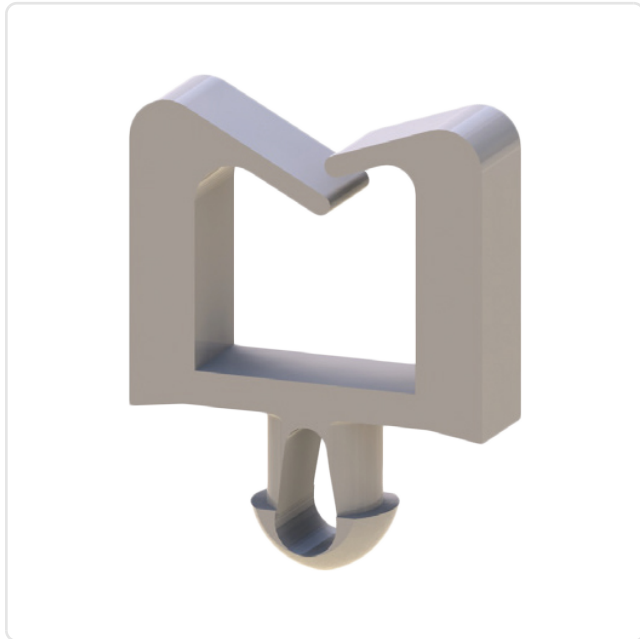
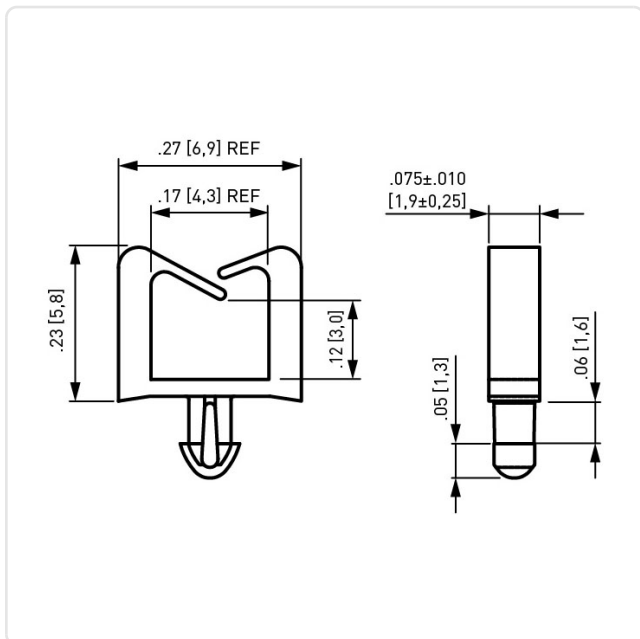


Image may be similar

Bundle Diameter [mm]: 2,0-5,0  
 Color: Natural  
 Height [mm]: 5.8  
 Material: PA 6.6  
 Mounting Hole [mm]: 1.7  
 Panel Thickness [mm]: 1,6 mm  
 Width [mm]: 6.9  
 Weight: 0.06g  
 Conformities:



You can find all information on the web on our article detail page



Would you like individual advice?

We look forward to your email to [products@ettinger.de](mailto:products@ettinger.de).

Subject to change and errors.