

Article datasheet

Flanged Bearing $\varnothing 3/5/8 \times 7-2.2\text{mm}$ Polyamid 6.6 natural

Article-No.: 005.99.036

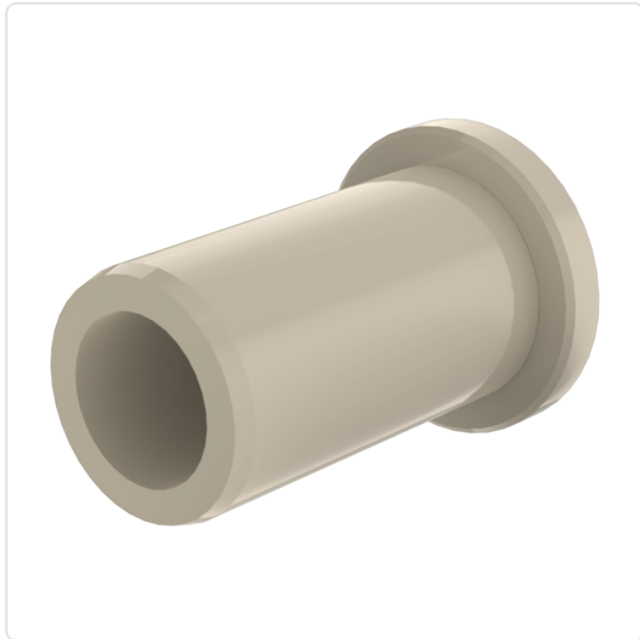


Image may be similar

Color: Natural
Flammability Class: UL94-V2
Inner Diameter [mm]: 3
Length [mm]: 7
Lug Diameter [mm]: 5
Material: PA 6.6
Material Group: Plastic
Model: With High Lug
Outer Diameter [mm]: 8
Weight: 0.16g
Conformities:



You can find all information on the web on our article detail page

Would you like individual advice?

We look forward to your email to products@ettinger.de.

Subject to change and errors.

