

Article datasheet

## Dowel Pin ISO2338 Ø2.5x10 A1 Plain Stainless Steel

Article-No.: 080.10.0210

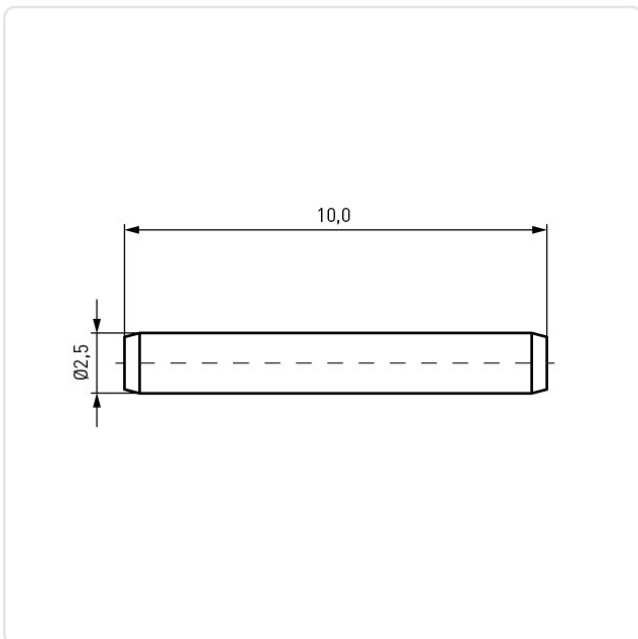


Image may be similar

DIN/ISO: DIN7 / ISO2338  
Diameter [mm]: 2.5  
Finish: Plain  
Length [mm]: 10  
Material: Stainless Steel AISI 303 / A1  
Material Group: Stainless Steel  
Weight: 0.45g  
Conformities:



You can find all  
information on the web on  
our article detail page



Would you like individual advice?

We look forward to your email to [products@ettinger.de](mailto:products@ettinger.de).

Subject to change and errors.