

Article datasheet

Carrying handle flexible footbridge with steel insert

Article-No.: 029.04.170

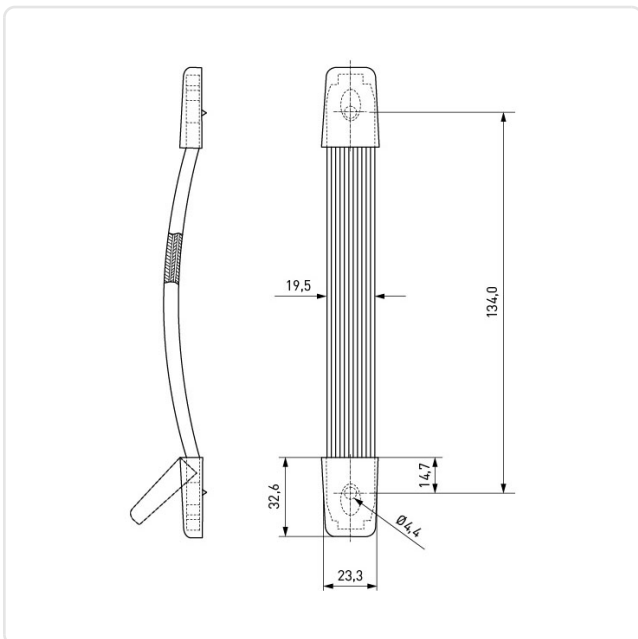


Image may be similar

Color: Black
Dist. Mounting Holes [mm]: 134
Finish: Nickel-Plated, 3 µm, E1E
Material: Steel
Material Group: Steel
Model: Carrying Handle
Weight: 36.58g
Conformities:



You can find all information on the web on our article detail page



Would you like individual advice?

We look forward to your email to products@ettinger.de.

Subject to change and errors.