

Article datasheet

Tubular Rivet DIN7340 B 2.5x0.3x9.0 Tin-Plated Brass

Article-No.: 019.87.095

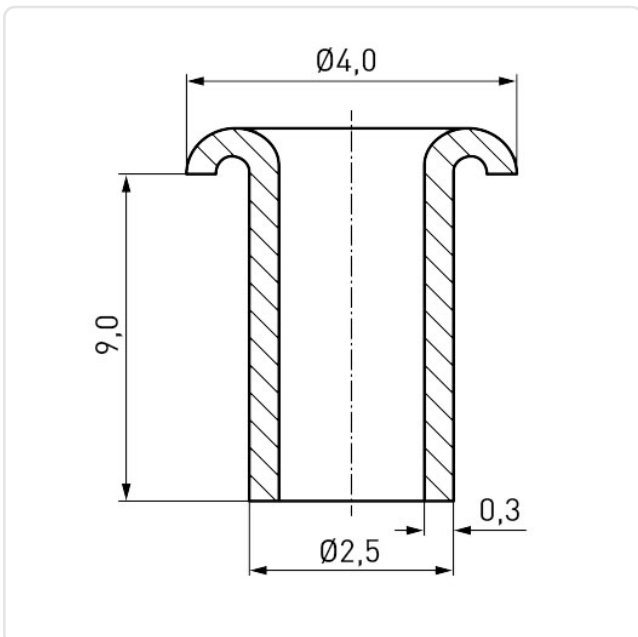


Image may be similar

DIN/ISO: DIN7340B
Finish: Tin-Plated
Head Diameter [mm]: 4
Length [mm]: 9
Material: Brass
Rivet Diameter [mm]: 2.5
Wall Thickness [mm]: 0.30
Weight: 0.2g
Conformities:



You can find all information on the web on our article detail page



Would you like individual advice?

We look forward to your email to products@ettinger.de.

Subject to change and errors.