

Article datasheet

Switch Vandal Resistant \varnothing 21mm Stainless steel/5A-250V/IP66

Article-No.: 011.10.589

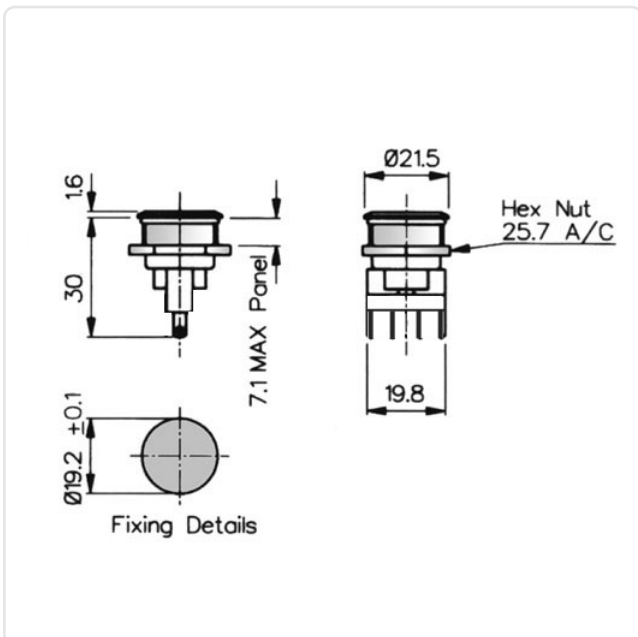


Image may be similar

| | |
|---------------------|--|
| Contact Plating: | Silver-plated |
| Diameter [mm]: | 21.5 |
| Material: | Stainless Steel AISI 316 / A4 |
| Material Group: | Stainless Steel |
| Mounting Hole [mm]: | 19.2 |
| Protection Code: | IP66 |
| Weight: | 26g |
| Conformities: | <div style="display: flex; gap: 10px;"> <div style="border: 1px solid green; padding: 2px; font-size: 8px;">Reach COMPLIANT</div> <div style="border: 1px solid green; padding: 2px; font-size: 8px;">RoHS COMPLIANT</div> <div style="border: 1px solid green; padding: 2px; font-size: 8px;">SVHC COMPLIANT</div> </div> |



You can find all information on the web on our article detail page



Would you like individual advice?

We look forward to your email to products@ettinger.de.

Subject to change and errors.