

Article datasheet

## Insulated end splice 2.5-6.0mm<sup>2</sup> Polyamid,transparent/Not UL listed

Article-No.: 018.72.414

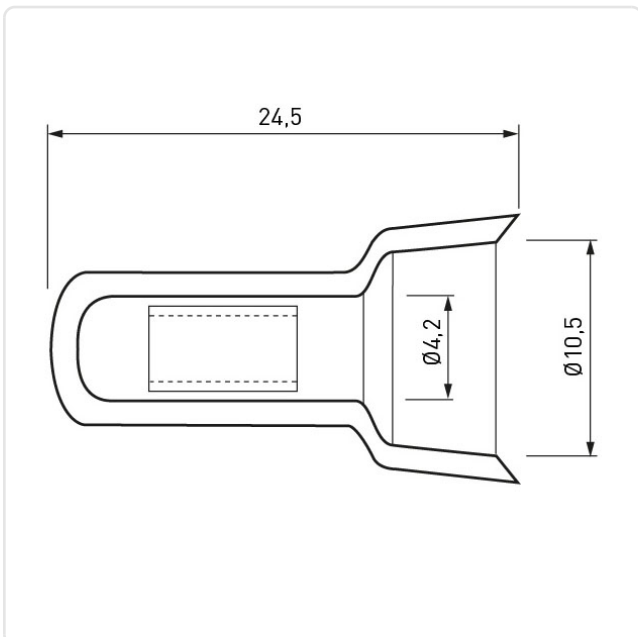


Image may be similar

Color:	Transparent
Finish:	Tin-Plated
Insulation:	Polyamide
Length [mm]:	24.5
Material:	Electrolytic Copper
Wire Cross Section [mm <sup>2</sup> ]:	2.5-6.0
Weight:	0.77g
Conformities:	



You can find all  
information on the web on  
our article detail page



Would you like individual advice?

We look forward to your email to [products@ettinger.de](mailto:products@ettinger.de).

Subject to change and errors.