

Article datasheet

Power-Element M4 max. 50Amps Brass tin-plated

Article-No.: 013.40.644

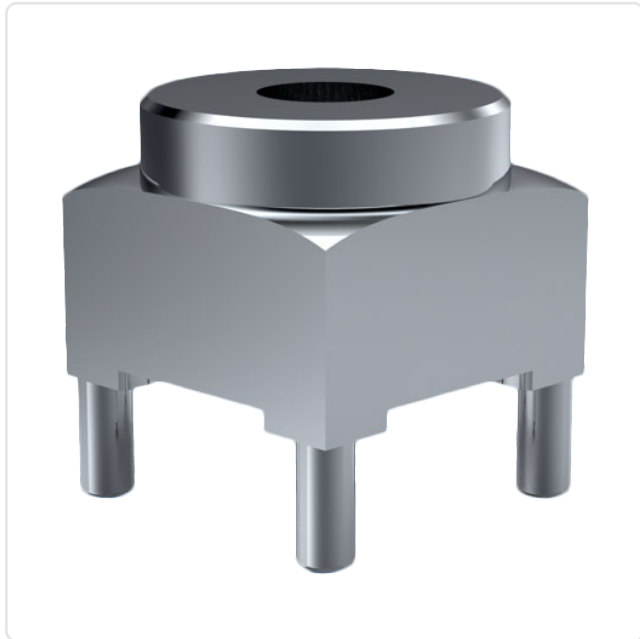
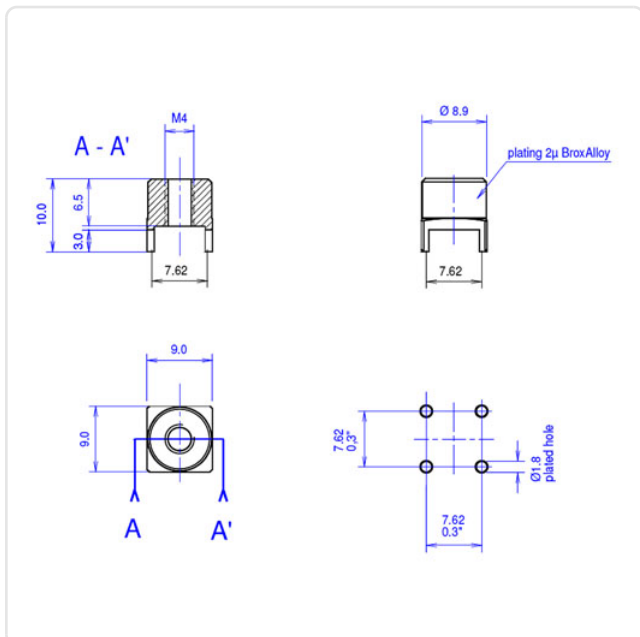


Image may be similar

Amperage [A]: 50
 Finish: Tin-Plated
 Grid [mm]: 7.62
 Material: Brass
 Material Group: Brass
 PCB Hole Ø [mm]: 1.8
 Thread Size: M4
 Weight: 3.61g
 Conformities:



You can find all information on the web on our article detail page



Would you like individual advice?

We look forward to your email to products@ettinger.de.

Subject to change and errors.