

Article datasheet

Cable Gland with antikink M20 IP68 clamping range 7-13mm PA grey

Article-No.: 014.22.207

Manufacturer: LAPP

Manufacturer article-no.: 53111820

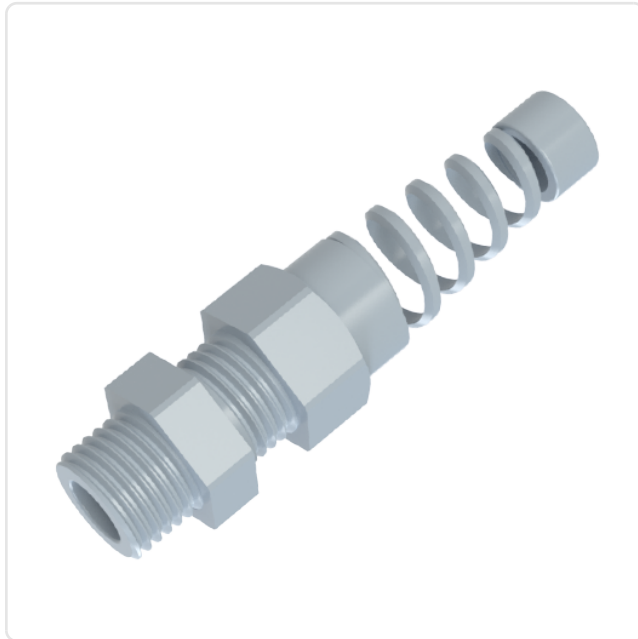
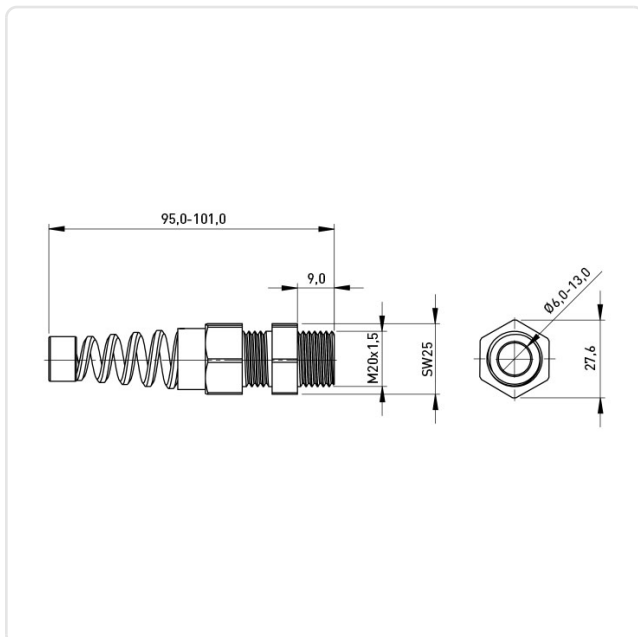


Image may be similar

AF / OD [mm]:	25
Color:	Gray
Material:	PA 6.0
Material Group:	Plastic
Model:	With Bend Protection
Mounting Hole [mm]:	20.5
Panel Thickness Range [mm]:	7.0-13.0
Protection Code:	IP68
Thread Size:	M20
Weight:	20.97g
Conformities:	



You can find all information on the web on our article detail page



Would you like individual advice?

We look forward to your email to products@ettinger.de.

Subject to change and errors.