

Article datasheet

Drive Fastener $\varnothing 3.3/1.0-4.5$ mm panel Polyoxymethylen(POM),naturalUL94-HB

Article-No.: 072.17.731

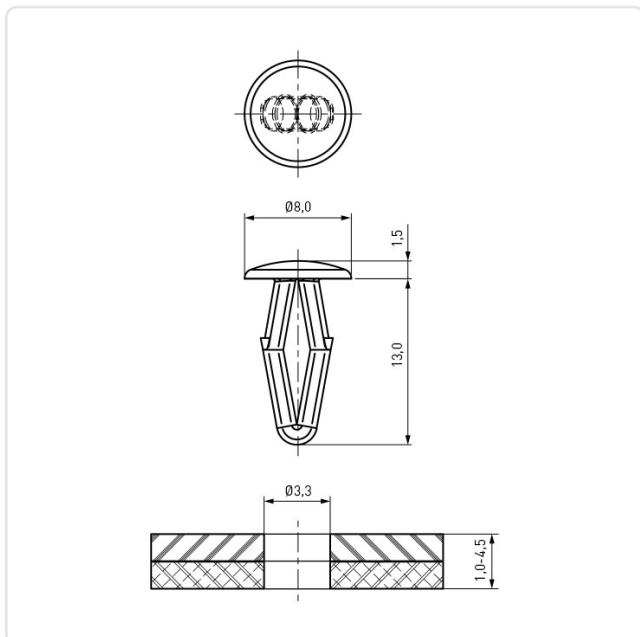


Image may be similar

Color:	Natural
Head Diameter [mm]:	8
Material:	POM - Polyoxymethylene
Material Group:	Plastic
Mounting Hole [mm]:	3.3
Panel Thickness Range [mm]:	1.0 - 4.5
Weight:	0.2g
Conformities:	



You can find all
information on the web on
our article detail page



Would you like individual advice?

We look forward to your email to products@ettinger.de.

Subject to change and errors.