

Article datasheet

Captive Screw M4x14 Pan Head Nickel-Plated Brass Slotted

Article-No.: 001.85.452

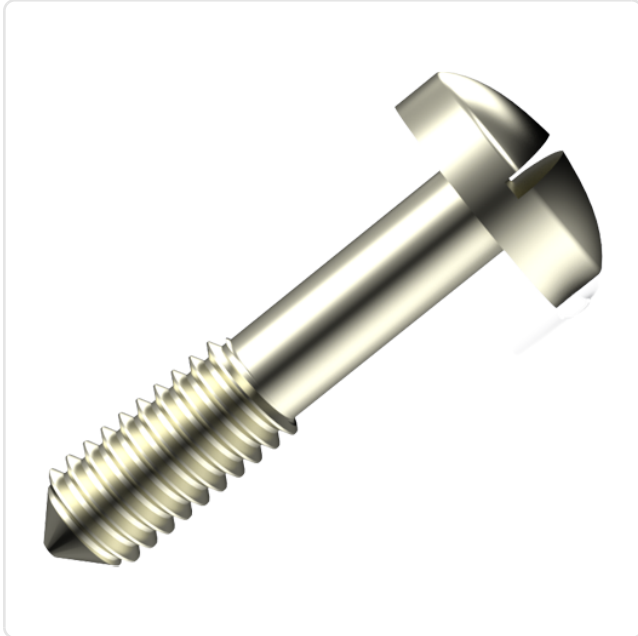


Image may be similar

Drive Type:	Slotted
Finish:	Nickel-Plated, 3 µm, E1E
Head Diameter [mm]:	7
Head Height [mm]:	2.5
Head Shape:	Pan Head
Length [mm]:	14
Material:	Brass CW614N / CuZn39Pb3
Reduced Shank Length [mm]:	6
Thread Size:	M4
Weight:	1.63g
Conformities:	



You can find all
information on the web on
our article detail page

Would you like individual advice?

We look forward to your email to products@ettinger.de.

Subject to change and errors.

