

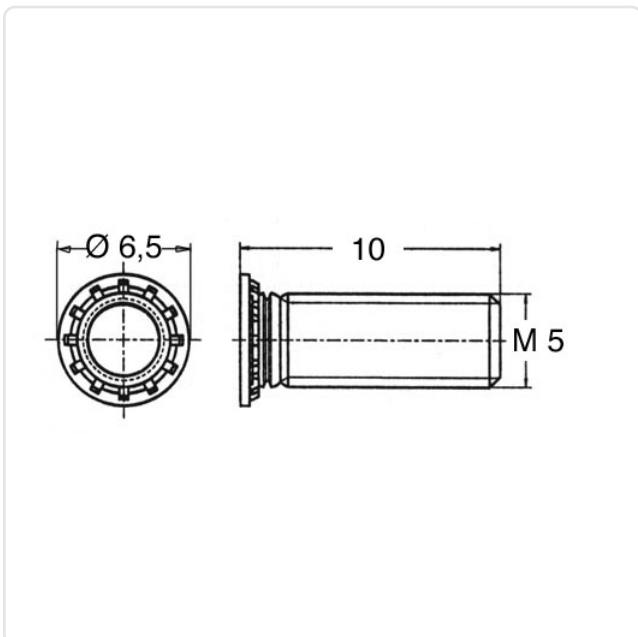
Article datasheet

Self-Clinching Stud M5x10.0 Galvanized Steel

Article-No.: 004.80.510



Image may be similar



Area of Application:	For Metallic Materials
Finish:	Galvanized, Blue, 5 µm, A2K
Head Diameter [mm]:	6.5
Length [mm]:	10
Material:	Steel 8.8
Minimum Edge Distance [mm]:	5.0
Panel Hole Ø [mm]:	5
Panel Thickness [mm]:	1
Thread Size:	M5
Weight:	1.33g
Conformities:	



You can find all
information on the web on
our article detail page

Would you like individual advice?

We look forward to your email to products@ettinger.de.

Subject to change and errors.