

Article datasheet

Hand Held Miniature 1551 Series / IP 54 black / 35 x 15 x 50 mm

Article-No.: 097.51.140

Manufacturer: Hammond

Manufacturer article-no.: 1551 FBK

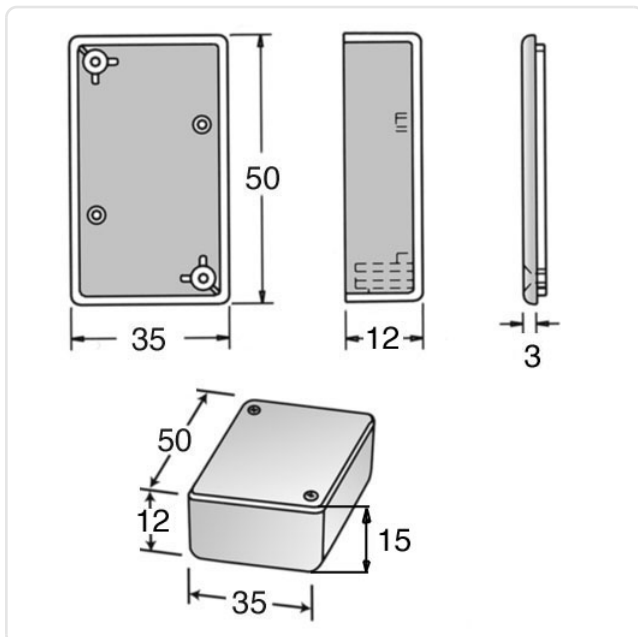


Image may be similar

Color: Black
Flammability Class: UL94-HB
Height [mm]: 15
Length [mm]: 50
Material: ABS - Acrylonitrile Butadiene Styrene
Material Group: Plastic
Protection Code: IP54
Width [mm]: 35
Weight: 15.01g
Conformities:



You can find all information on the web on our article detail page



Would you like individual advice?

We look forward to your email to products@ettinger.de.

Subject to change and errors.