

Article datasheet

PC Fuse Holder for 5x20mm fuses Glass Epoxy/Brass tinned/max. 6.3A

Article-No.: 015.01.522

Manufacturer: Keystone Electronics

Manufacturer article-no.: 3527

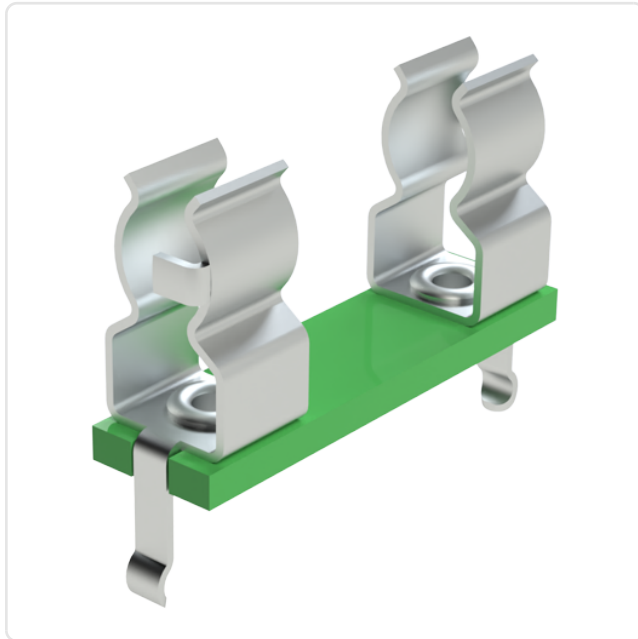
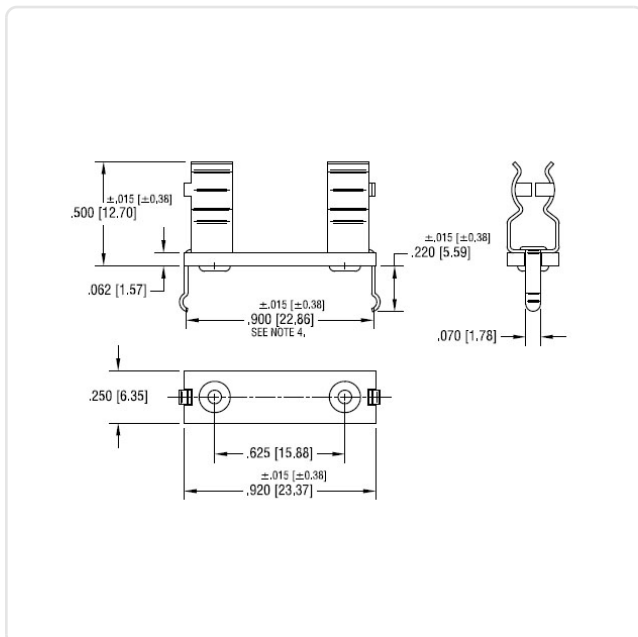


Image may be similar

Amperage [A]: 6.3
 Finish: Tin-Plated
 Fuse Size [mm]: 5.0x20.0
 Material: Brass
 Model: Fuse Holder
 Mounting Hole [mm]: 2
 Weight: 1.81g
 Conformities:



You can find all information on the web on our article detail page



Would you like individual advice?

We look forward to your email to products@ettinger.de.

Subject to change and errors.