




Article datasheet

Spring Washer DIN137 B Ø3.2/8.0 x 0.5 Galvanized Spring Steel

Article-No.: 003.23.031

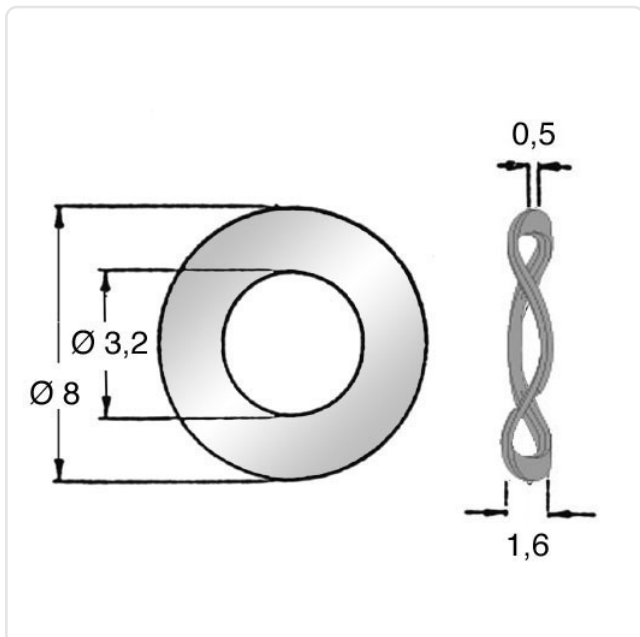


Image may be similar

| | |
|----------------------|--|
| DIN/ISO: | DIN137B |
| Finish: | Galvanized, Blue, 5 µm, A2K |
| For Thread Size: | M3 |
| Height [mm]: | 0.5 |
| Inner Diameter [mm]: | 3.2 |
| Material: | Spring Steel |
| Material Group: | Steel |
| Outer Diameter [mm]: | 8 |
| Weight: | 0.15g |
| Conformities: |    |



You can find all information on the web on our article detail page



Would you like individual advice?

We look forward to your email to products@ettinger.de.

Subject to change and errors.