

Article datasheet

## Solderless Terminal DIN 46237 M5 4-6mm<sup>2</sup> Polyamid yellow UL-listed E329382

Article-No.: 018.35.754

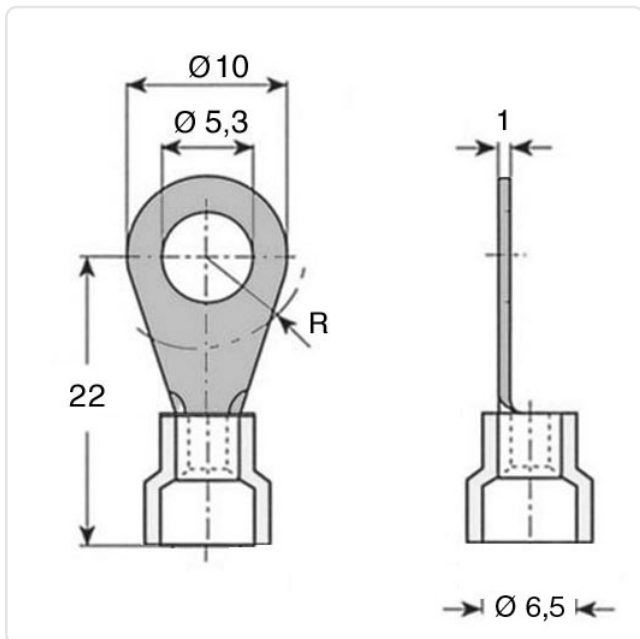


Image may be similar

Color:	Yellow
DIN/ISO:	DIN46237-A
Finish:	Tin-Plated
For Thread Size:	M5
Insulation:	Polyamide
Material:	Electrolytic Copper
Outer Diameter [mm]:	10
Wire Cross Section [mm <sup>2</sup> ]:	4.0-6.0
Weight:	1.82g
Conformities:	



You can find all information on the web on our article detail page



Would you like individual advice?

We look forward to your email to [products@ettinger.de](mailto:products@ettinger.de).

Subject to change and errors.