

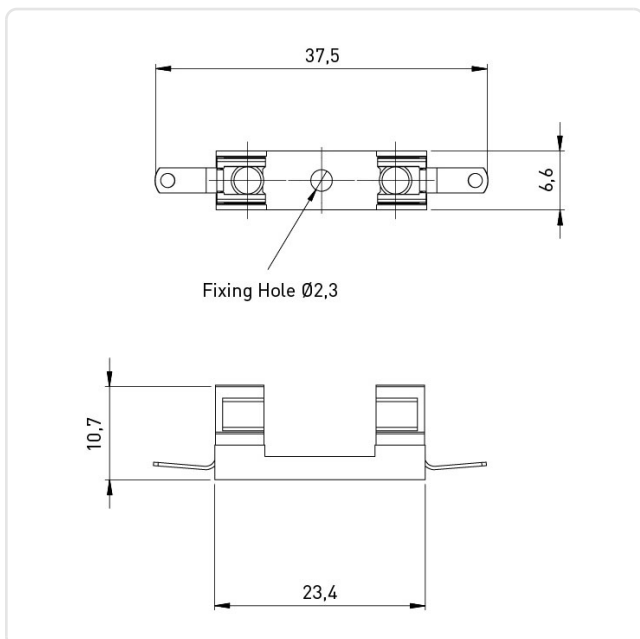
Article datasheet

Fuse Holder 5x20mm 22.9/ø2mm Thermoplastic/Phosphorbronze,tinned

Article-No.: 015.01.552



Image may be similar



Amperage [A]: 6.3
Fuse Size [mm]: 5.0x20.0
Material: Plastic
Model: Fuse Holder
Protection Code: PC1
Conformities:



You can find all
information on the web on
our article detail page

Would you like individual advice?

We look forward to your email to products@ettinger.de.

Subject to change and errors.