

Article datasheet

Sealing screw DIN 46320 PG16 Brass nickel-plated without O-ring

Article-No.: 014.36.163

Manufacturer: LAPP

Manufacturer article-no.: 52003420

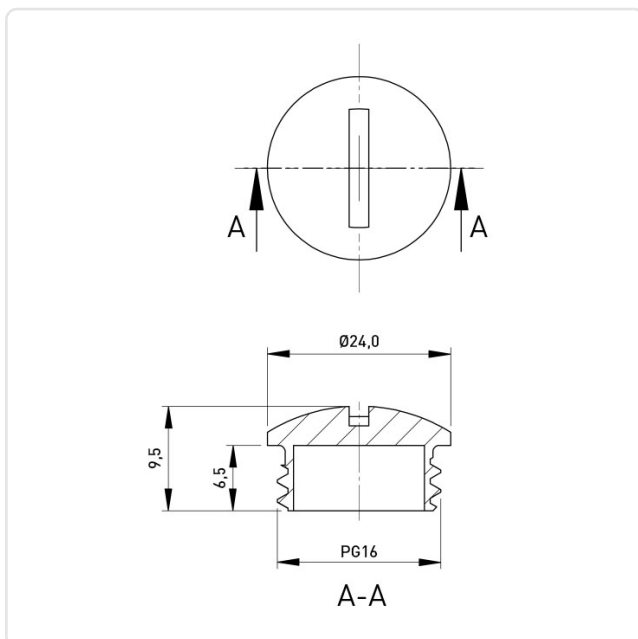


Image may be similar

Height [mm]: 9.5
Material: Brass
Material Group: Brass
Model: Plug Screw
Thread Size: PG16
Weight: 12.53g
Conformities:



You can find all information on the web on our article detail page



Would you like individual advice?

We look forward to your email to products@ettinger.de.

Subject to change and errors.