

Article datasheet

PCB Mount Screw Terminal M4 max. 15A Brass tinned - without screw

Article-No.: 013.44.465

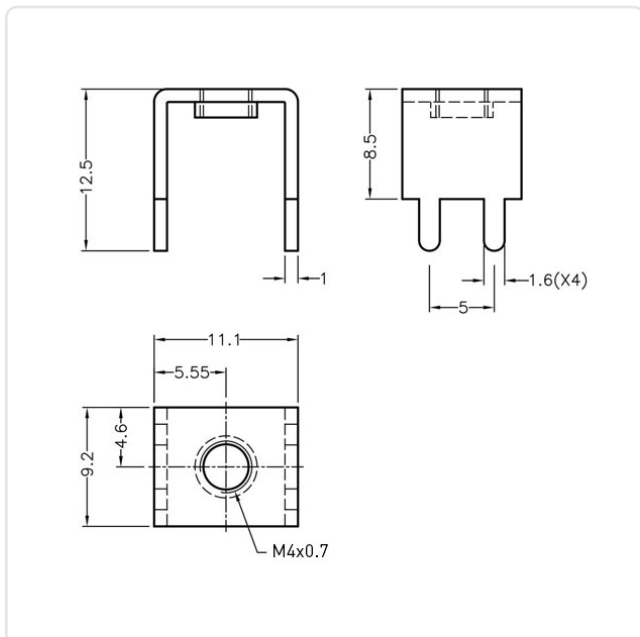


Image may be similar

Amperage [A]:	15
Finish:	Tin-Plated
Grid [mm]:	5.0
Material:	Brass
Material Group:	Brass
PCB Hole Ø [mm]:	1.8
Thread Size:	M4
Weight:	2.13g
Conformities:	



You can find all information on the web on our article detail page



Would you like individual advice?

We look forward to your email to products@ettinger.de.

Subject to change and errors.