

Article datasheet

## Thread-Locking Screw ISO14581 M3x8 Galvanized Steel 8.8 Torx Blue PA Patch

Article-No.: 001.55.336

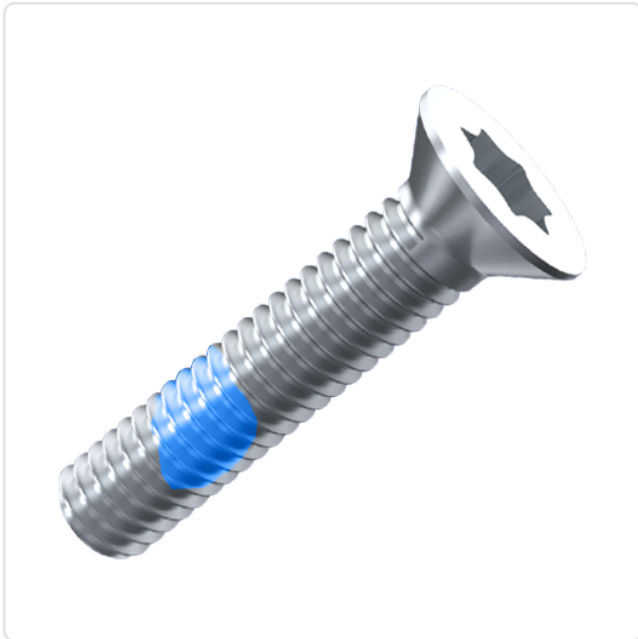
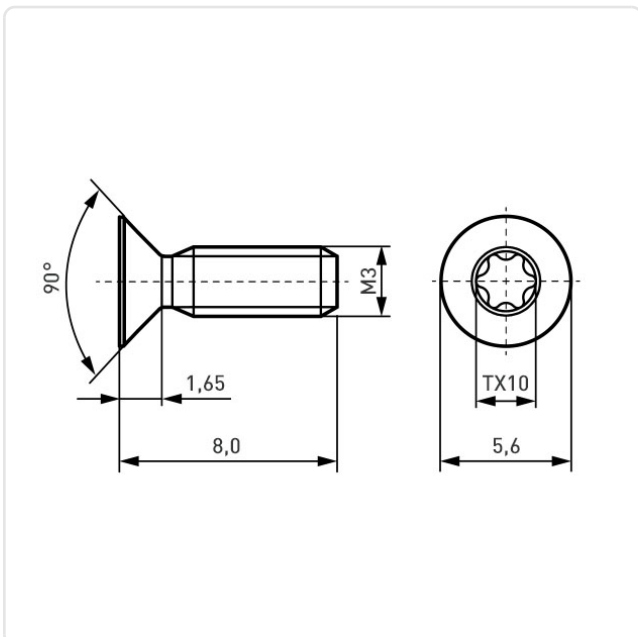


Image may be similar

Actuator Size:	Torx T10
DIN/ISO:	ISO14581
Drive Type:	TORX
Finish:	Galvanized, Blue, 5 µm, A2K
Head Diameter [mm]:	5.6
Head Height [mm]:	1.65
Head Shape:	Countersunk Head
Length [mm]:	8
Material:	Steel 8.8
Material Group:	Stahl
Thread Locking:	Blue Nylon Patch
Thread Size:	M3
Weight:	0.44g
Conformities:	



You can find all  
information on the web on  
our article detail page

Would you like individual advice?

We look forward to your email to [products@ettinger.de](mailto:products@ettinger.de).

Subject to change and errors.