

Article datasheet

Blade Terminal 2x 6.3x0.8 | 45° | ø4.2 Nickel-Plated Steel

Article-No.: 019.68.753

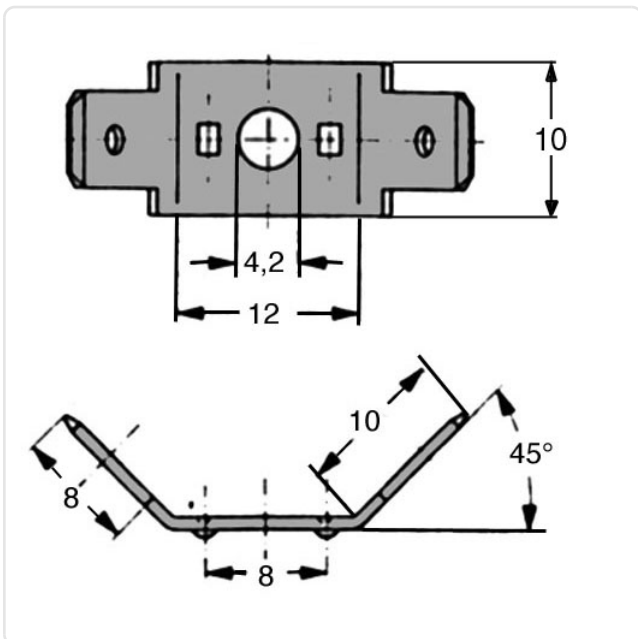


Image may be similar

Bending Angle [°]:	45
Finish:	Nickel-Plated, 3 µm, E1E
Material:	Steel
Material Group:	Steel
Plug-In Length [mm]:	8
Size [mm]:	6.3x0.8
Tabs:	2
Weight:	1.48g
Conformities:	



You can find all information on the web on our article detail page



Would you like individual advice?

We look forward to your email to products@ettinger.de.

Subject to change and errors.