

Article datasheet

Solder Terminal Standoff UNC4-40 Molded Diallyl

Article-No.: 013.81.486

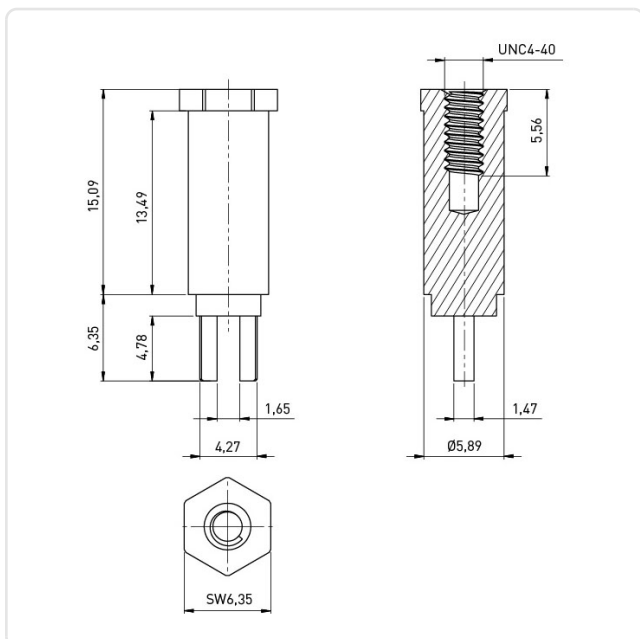


Image may be similar

Diameter [mm]: 5.9
 Finish: Tin-Plated
 Length [mm]: 15.1
 Material: DAP - Diallyl Phtalate
 Material Group: Plastic
 PCB Hole Ø [mm]: 3.6
 Weight: 2.05g
 Conformities:



You can find all information on the web on our article detail page



Would you like individual advice?

We look forward to your email to products@ettinger.de.

Subject to change and errors.