

Article datasheet

Plastic Instrument Enclosure 1598 / IP 54 / 135 x 50 x 134 mm

Article-No.: 097.81.137

Manufacturer: Hammond

Manufacturer article-no.: 1598BGY



Image may be similar

Color: Gray
Flammability Class: UL94-V0
Height [mm]: 50
Length [mm]: 134
Material: ABS - Acrylonitrile Butadiene Styrene
Material Group: Plastic
Protection Code: IP54
Width [mm]: 135
Weight: 237.93g
Conformities:

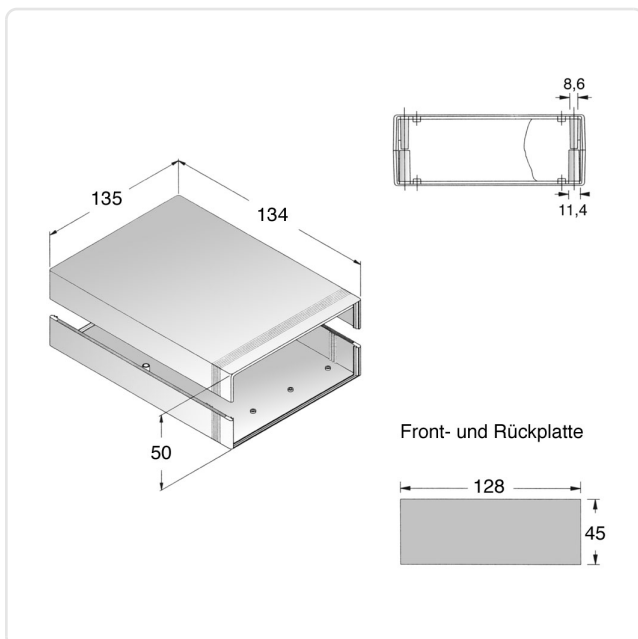


You can find all information on the web on our article detail page

Would you like individual advice?

We look forward to your email to products@ettinger.de.

Subject to change and errors.



Front- und Rückplatte

