

Article datasheet

## Standoff Nickel-Plated Brass M/F AF4x12 F=M2.5x7 M=M2.5x6 w/ Undercut

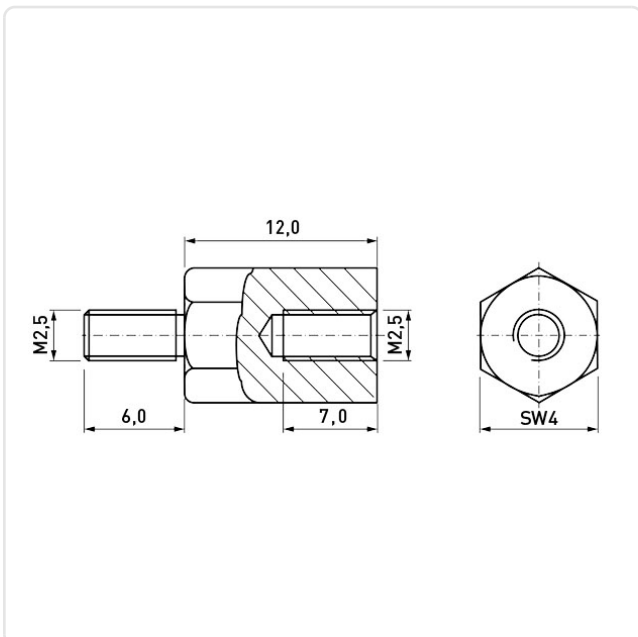
Article-No.: 005.12.123



AF / OD [mm]:	4
Female Thread Length [mm]:	7
Female Thread Size:	M2.5
Finish:	Nickel-Plated, 3 µm, E1E
Length [mm]:	12
Male Thread Length [mm]:	6
Male Thread Size:	M2.5
Material:	Brass CW614N / CuZn39Pb3
Material Group:	Messing
Profile:	Hexagonal
Undercut:	Yes
Weight:	1.24g
Conformities:	



Image may be similar



You can find all information on the web on our article detail page

Would you like individual advice?

We look forward to your email to [products@ettinger.de](mailto:products@ettinger.de).

Subject to change and errors.