

Article datasheet

Open-Closed Bushing 19.8/14.0mm Polyamide black

Article-No.: 014.03.127

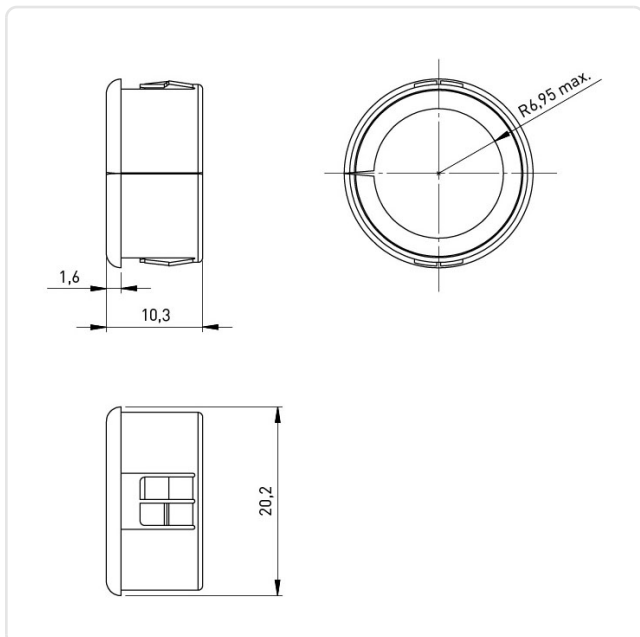


Image may be similar

Color:	Black
Inner Diameter [mm]:	14
Material:	PA 6.6
Material Group:	Kunststoff
Max. Panel Thickness [mm]:	3.2
Mounting Hole [mm]:	19.1
Outer Diameter [mm]:	19.8
Weight:	0.85g
Conformities:	



You can find all information on the web on our article detail page



Would you like individual advice?

We look forward to your email to products@ettinger.de.

Subject to change and errors.