

Article datasheet

## Long Nut M22 DIN6334 Galvanized Steel AF 32x66 / M22

Article-No.: 002.20.221

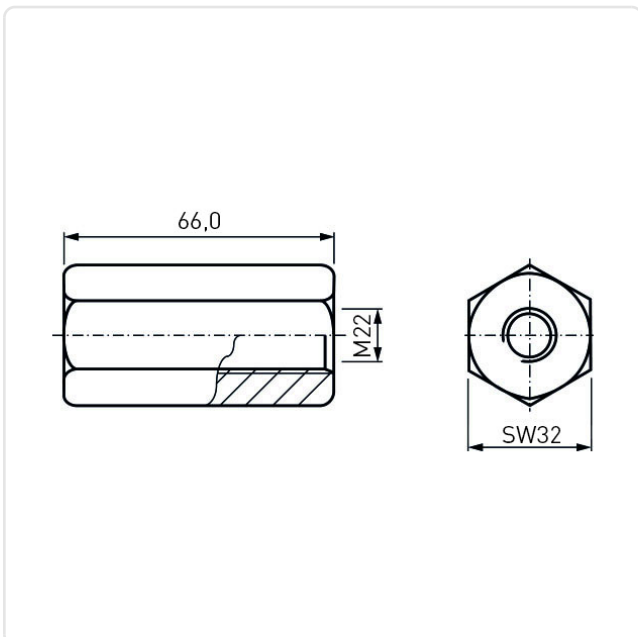


Image may be similar

DIN/ISO: DIN6334  
Finish: Galvanized, Blue, 5 µm, A2K  
Length [mm]: 66  
Material: Steel AISI 12L13 / 11SMnPb30  
Material Group: Stahl  
Profile: Hexagonal  
Thread Size: M22  
Conformities:



You can find all  
information on the web on  
our article detail page



Would you like individual advice?

We look forward to your email to [products@ettinger.de](mailto:products@ettinger.de).

Subject to change and errors.