

Article datasheet

Battery Contact +Pole for AAA/AAA/N Spring steel,nickel-plated

Article-No.: 015.84.215

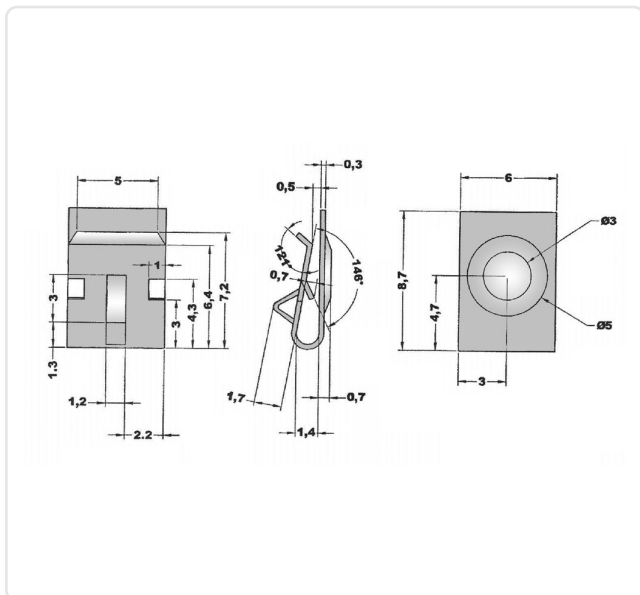


Image may be similar

Battery Type: AAA-Micro
Finish: Nickel-Plated, 3 µm, E1E
Material: Spring Steel
Material Group: Steel
Width [mm]: 6
Weight: 0.24g
Conformities:



You can find all
information on the web on
our article detail page



Would you like individual advice?

We look forward to your email to products@ettinger.de.

Subject to change and errors.