

Article datasheet

## Cable Glands cover for PG 11 / EMV $\varnothing$ 17x6mm Brass Nickel plated

Article-No.: 014.29.123

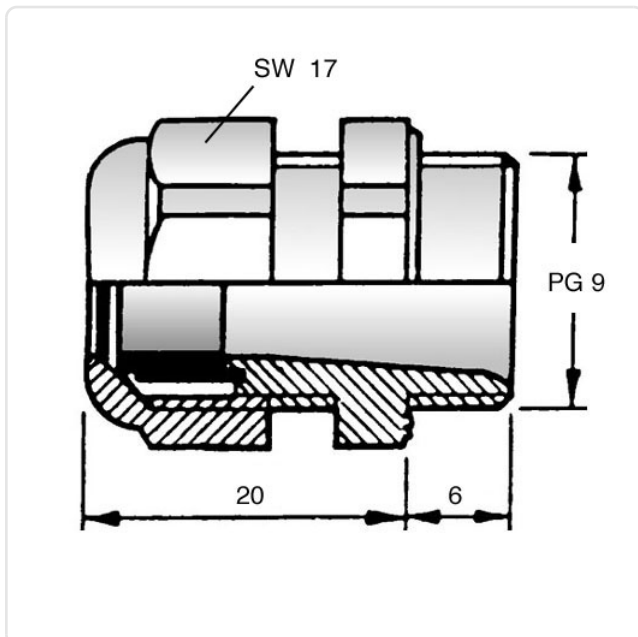


Image may be similar

AF / OD [mm]:	17
Material:	Brass
Material Group:	Brass
Mounting Hole [mm]:	15.7
Panel Thickness Range [mm]:	4.0-8.0
Protection Code:	IP68
Thread Size:	PG9
Weight:	17.41g
Conformities:	



You can find all information on the web on our article detail page



Would you like individual advice?

We look forward to your email to [products@ettinger.de](mailto:products@ettinger.de).

Subject to change and errors.