

Article datasheet

Drive Rivet Ø3.0 | 6.5-7.5 Polyamide 6 black

Article-No.: 072.21.370

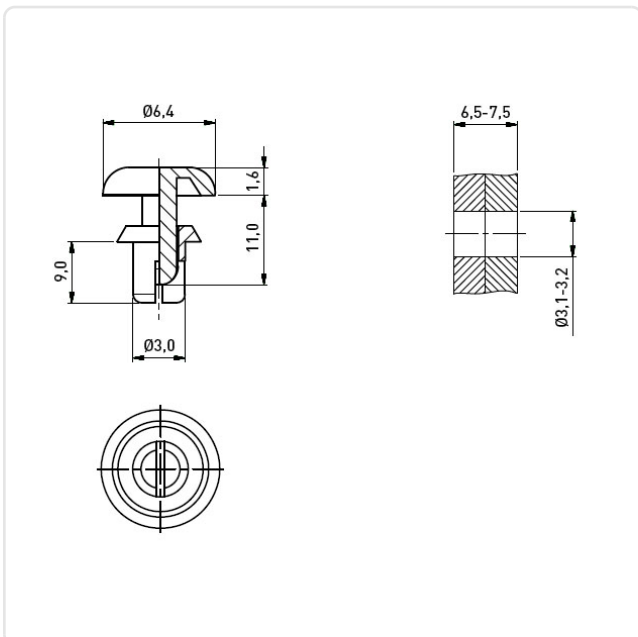


Image may be similar

Color:	Black
Flammability Class:	UL94-V2
Head Diameter [mm]:	6.4
Head Height [mm]:	1.6
Length [mm]:	9
Material:	PA 6.0
Model:	removable
Mounting Hole Range [mm]:	Ø 3.1-3.2
Panel Thickness [mm]:	6,5-7,5
Rivet Diameter [mm]:	3
Weight:	0.13g
Conformities:	



You can find all
information on the web on
our article detail page



Would you like individual advice?

We look forward to your email to products@ettinger.de.

Subject to change and errors.