

Article datasheet

## Lock Washer $\text{\O}3.2/5.5 \times 0.5$ A2 Plain Stainless Steel

Article-No.: 003.04.039

Manufacturer: SCHNORR

Manufacturer article-no.: 410750

**SCHNORR**  
DISC SPRING ENGINEERING

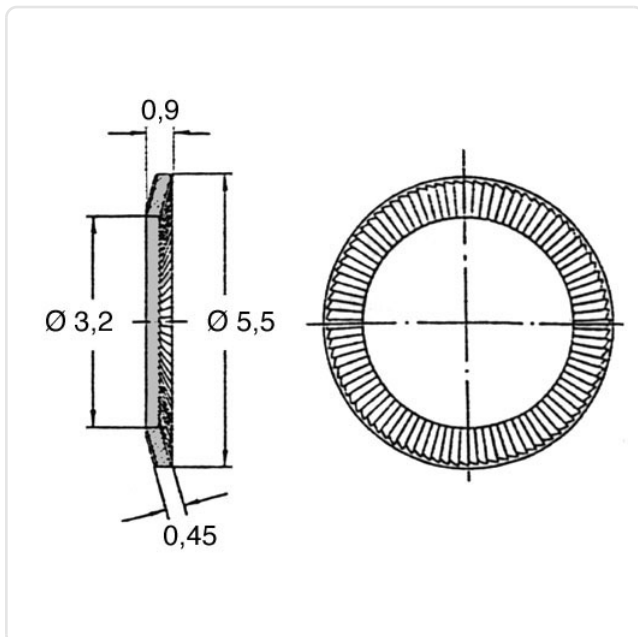


Image may be similar

Finish: Plain  
For Thread Size: M3  
Height [mm]: 0.5  
Inner Diameter [mm]: 3.2  
Material: Stainless Steel AISI 304 / A2  
Material Group: Stahl rostfrei  
Outer Diameter [mm]: 5.5  
Weight: 0.05g  
Conformities:



You can find all information on the web on our article detail page



Would you like individual advice?

We look forward to your email to [products@ettinger.de](mailto:products@ettinger.de).

Subject to change and errors.