

Article datasheet

PCB Support 5.0 w/ Grounding Connection Polyamide 6.6 natural

Article-No.: 006.97.050

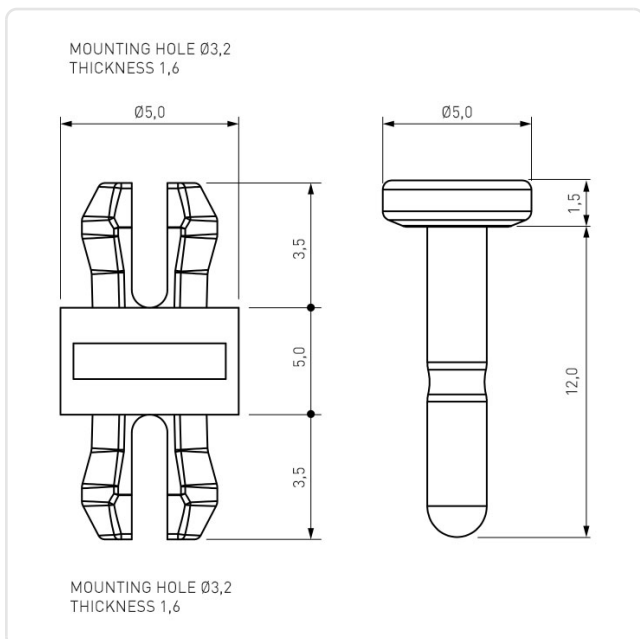


Image may be similar

Color:	Natural
Flammability Class:	UL94-V2
Length [mm]:	5
Material:	PA 6.6
Material Group:	Plastic
PCB Hole Ø [mm]:	3.2
PCB Thickness [mm]:	1,6
Panel Hole Ø [mm]:	3.2
Panel Thickness [mm]:	1,6
Weight:	0.525g
Conformities:	



You can find all
information on the web on
our article detail page



Would you like individual advice?

We look forward to your email to products@ettinger.de.

Subject to change and errors.