

Article datasheet

Twist Lock on Base $\varnothing 10.2-12.7$ mm Polyamide 6.6 natural UL94-V2 E70062

Article-No.: 072.62.331



Image may be similar

Bundle Diameter [mm]: 10,0-15,0

Color: Natural

Flammability Class: UL94-V2

Material: PA 6.0

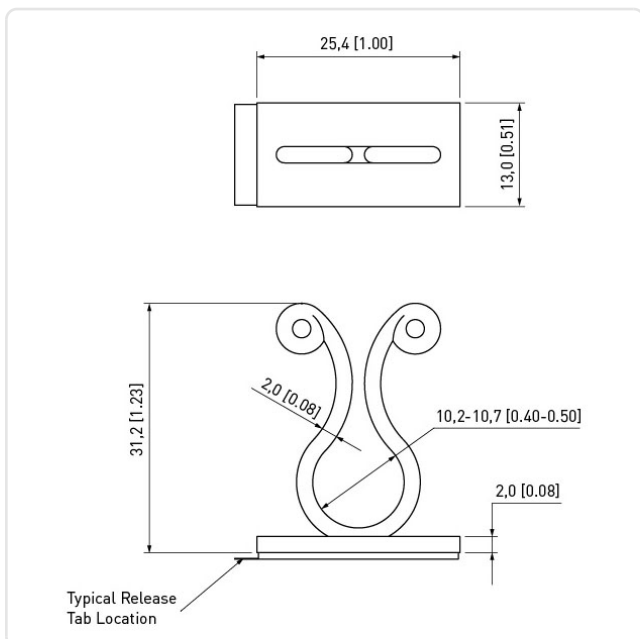
Model: Fastening Plate, Self-Adhesive

Weight: 1.15g

Conformities:



You can find all information on the web on our article detail page



Would you like individual advice?

We look forward to your email to products@ettinger.de.

Subject to change and errors.