

Article datasheet

Cap for COM-Knob \varnothing 20 mm

Article-No.: 028.20.107

Manufacturer: OKW Gehäusesysteme

Manufacturer article-no.: A32.20.007

OKW
GEHÄUSE
SYSTEME

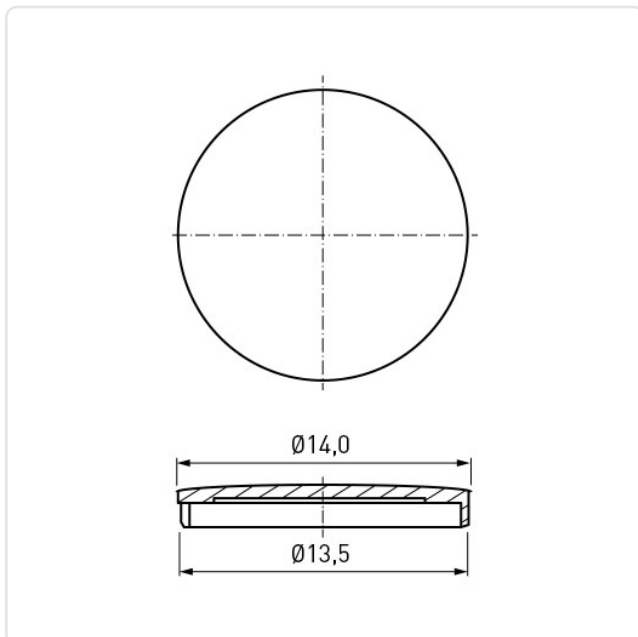


Image may be similar

Color: Gray
Material: PA 6.0
Material Group: Plastic
Model: Cap for COM Knob
Outer Diameter [mm]: 20
Weight: 0.3g
Conformities:



You can find all
information on the web on
our article detail page



Would you like individual advice?

We look forward to your email to products@ettinger.de.

Subject to change and errors.