

Article datasheet

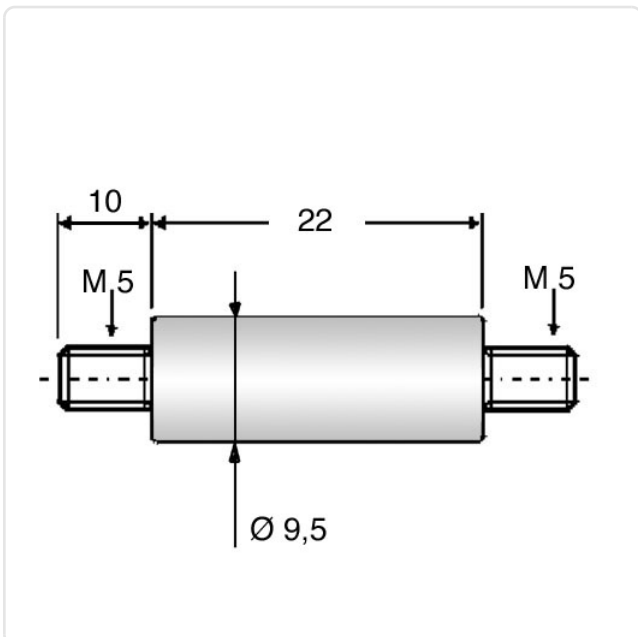
Insulated Standoff PA-Brass M/M Ø9.5x22 | Thread M5x10 / M5x10

Article-No.: 005.46.522



Image may be similar

AF / OD [mm]:	9.5
Flammability Class:	UL94-HB
Length [mm]:	22
Material:	PA 6.6
Material Group:	Plastic
Profile:	Round
Thread 1 Length [mm]:	10
Thread 1 Size:	M5
Thread 2 Length [mm]:	10
Thread 2 Size:	M5
Thread Insert Material:	Brass
Weight:	8.08g
Conformities:	



You can find all
information on the web on
our article detail page

Would you like individual advice?

We look forward to your email to products@ettinger.de.

Subject to change and errors.