

Article datasheet

PCB Support 7.9 | \varnothing 4.0 | \varnothing 4.8 Polyamide 6.6 natural

Article-No.: 006.06.317

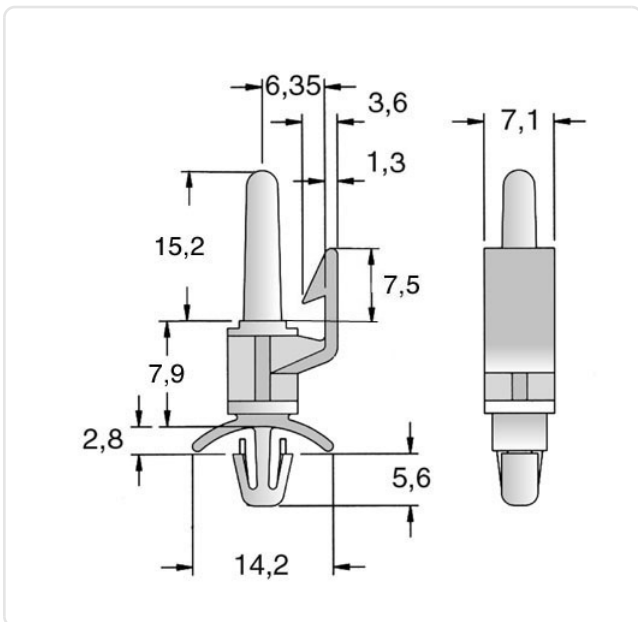


Image may be similar

Color: Natural
 Flammability Class: UL94-V0
 Length [mm]: 7.9
 Material: PA 6.6
 PCB Hole \varnothing [mm]: 4
 PCB Thickness [mm]: 1,6
 Panel Hole \varnothing [mm]: 4.8
 Panel Thickness [mm]: 1,6
 Weight: 0.78g
 Conformities:



You can find all information on the web on our article detail page



Would you like individual advice?
 We look forward to your email to products@ettinger.de.

Subject to change and errors.