

Article datasheet

## Power-Element M5 outer thread for PCB mouting with 4-Pins

Article-No.: 013.40.855

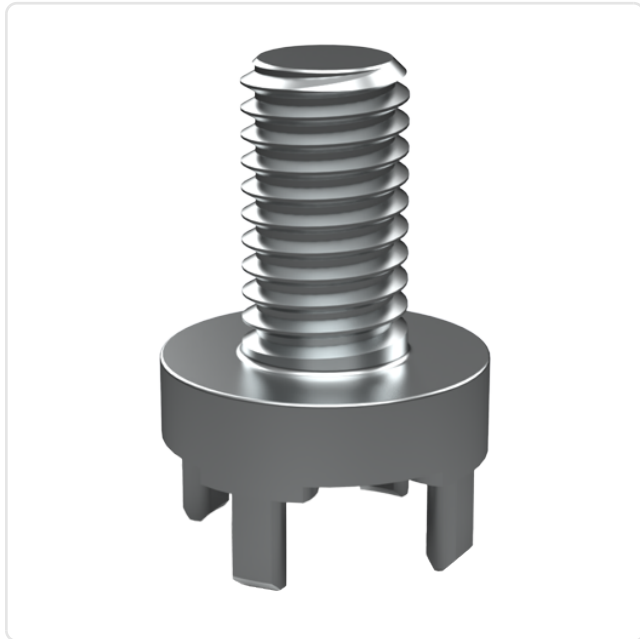
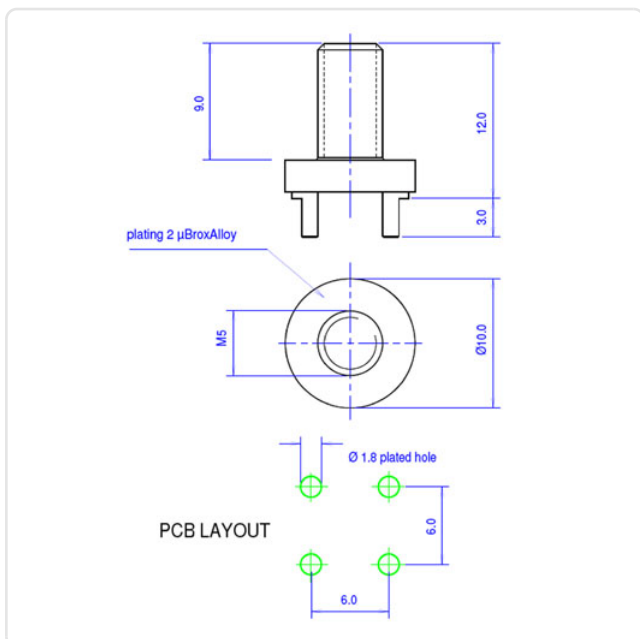


Image may be similar

Amperage [A]:	60
Finish:	Tin-Plated
Grid [mm]:	6.0
Material:	Brass
PCB Hole Ø [mm]:	1.8
Thread Size:	M5
Weight:	2.94g
Conformities:	



You can find all information on the web on our article detail page



Would you like individual advice?

We look forward to your email to [products@ettinger.de](mailto:products@ettinger.de).

Subject to change and errors.