

Article datasheet

## Blade Terminal 2.8x0.5 | 90° Tin-Plated Brass

Article-No.: 019.25.135

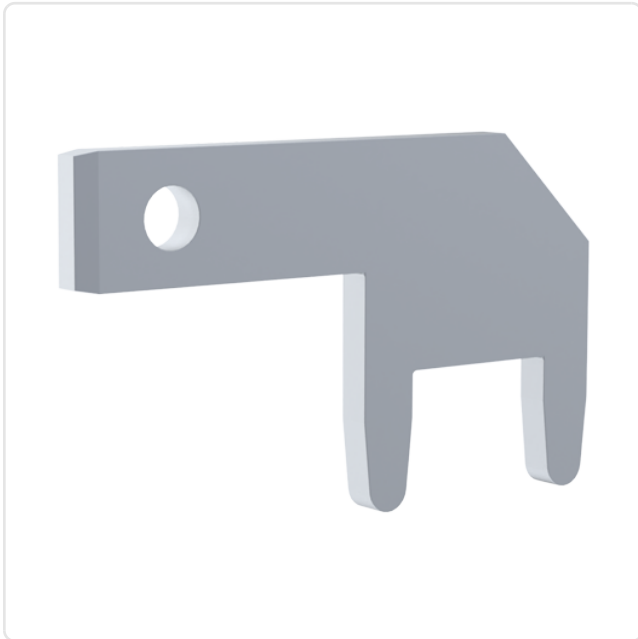
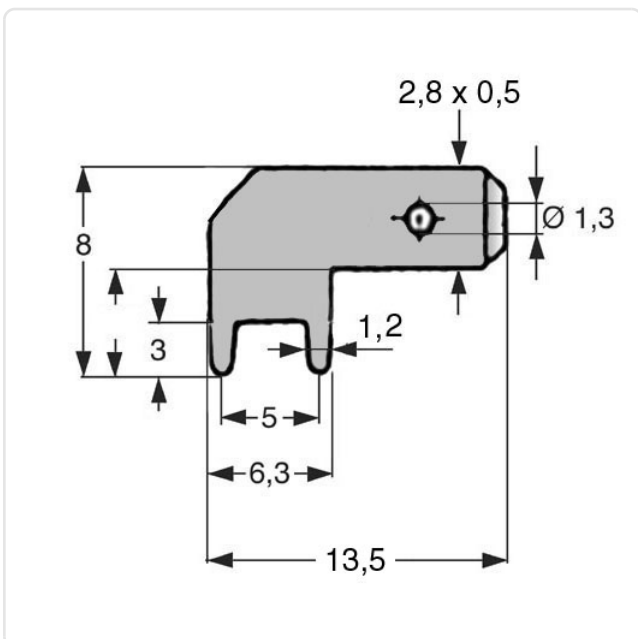


Image may be similar

Bending Angle [°]:	90
Finish:	Tin-Plated
Grid [mm]:	5.08
Material:	Brass
Material Group:	Messing
PCB Hole Ø [mm]:	1.1
Plug-In Length [mm]:	7.5
Size [mm]:	2.8x0.5
Tabs:	1
Weight:	0.23g
Conformities:	



You can find all  
information on the web on  
our article detail page



Would you like individual advice?

We look forward to your email to [products@ettinger.de](mailto:products@ettinger.de).

Subject to change and errors.