

Article datasheet

Solder Terminal Pin $\varnothing 1.3 \times 13.5$ mm Brass silver-plated with square press-in

Article-No.: 013.14.438

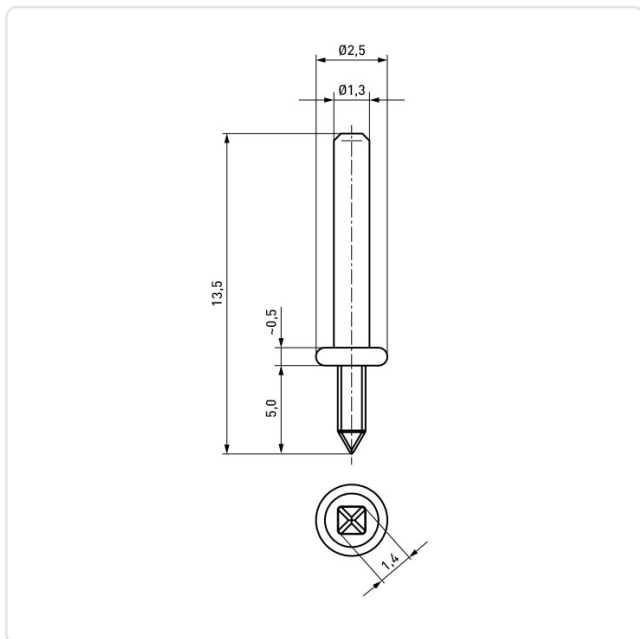


Image may be similar

Diameter [mm]: 1.3
Finish: Silver-Plated
Length [mm]: 13.5
Material: Brass
Material Group: Messing
Model: square
PCB Hole \varnothing [mm]: 1.3
Weight: 0.16g
Conformities:



You can find all information on the web on our article detail page



Would you like individual advice?

We look forward to your email to products@ettinger.de.

Subject to change and errors.