

Article datasheet

## Solder Eyelet $\varnothing 3.2/5.5 \times 6$ mm Brass tinned 0.3mm thick 90° angled

Article-No.: 019.05.935

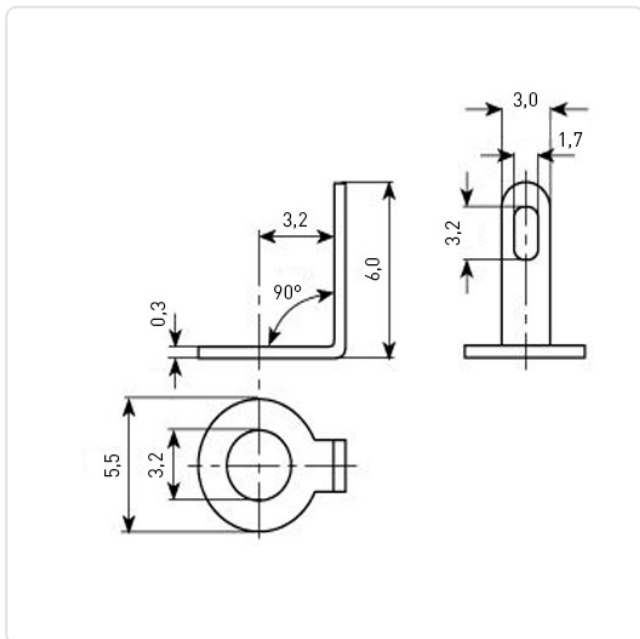


Image may be similar

Bending Angle [°]:	90
Finish:	Tin-Plated
Inner Diameter [mm]:	3.2
Length [mm]:	6
Material:	Brass
Material Group:	Brass
Outer Diameter [mm]:	5.5
Weight:	0.07g
Conformities:	



You can find all information on the web on our article detail page



Would you like individual advice?

We look forward to your email to [products@ettinger.de](mailto:products@ettinger.de).

Subject to change and errors.