

Article datasheet

## Straight-Through Strain Relief for round cables 6.4-7.4mm PA66 black

Article-No.: 014.04.160

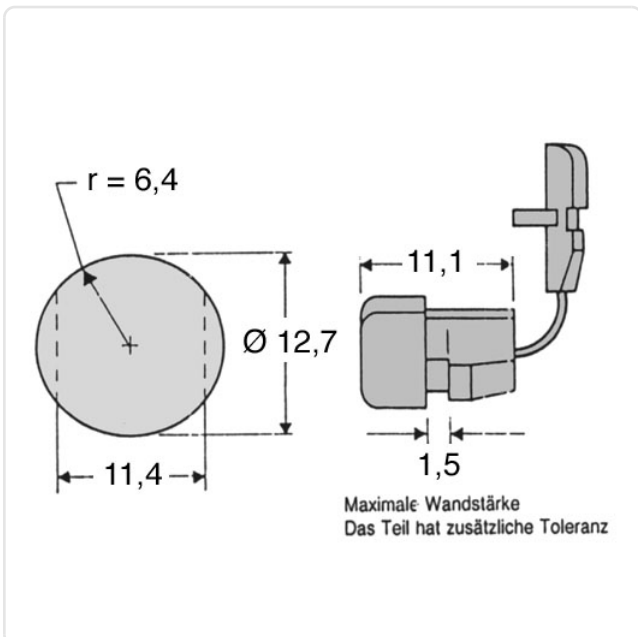


Image may be similar

Cable diameter [mm]:	Ø 3,0-7,6
Color:	Black
Material:	PA 6.6
Material Group:	Plastic
Max. Panel Thickness [mm]:	1.6
Mounting Hole [mm]:	12.7
Panel Thickness Range [mm]:	6,4-7,4 mm
Weight:	1.02g
Conformities:	



You can find all information on the web on our article detail page



Would you like individual advice?

We look forward to your email to [products@ettinger.de](mailto:products@ettinger.de).

Subject to change and errors.