

Article datasheet

Rivet Bush M4 | 1.4 - 1.6 Plain Stainless Steel

Article-No.: 002.15.249

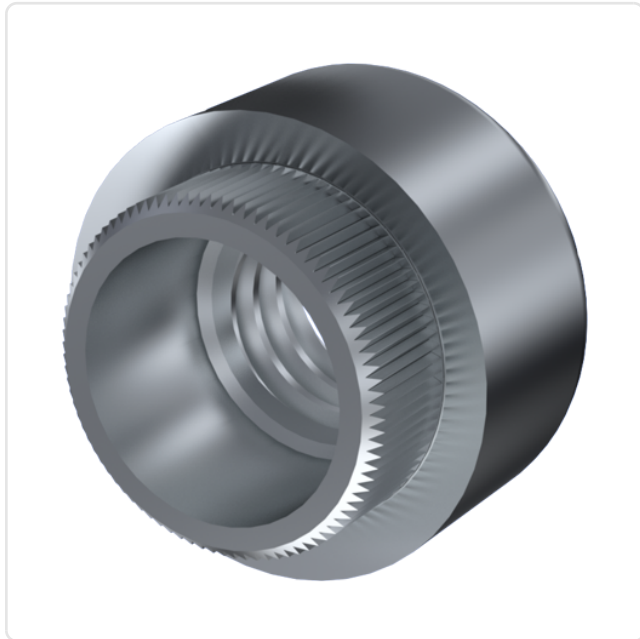
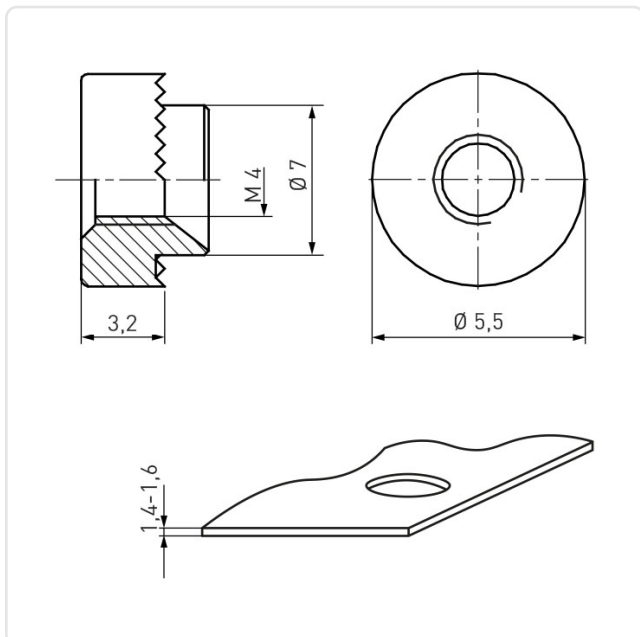


Image may be similar

Finish:	Plain
Height [mm]:	3.2
Material:	Stainless Steel AISI 303 / X8CrNiS18-9
Outer Diameter [mm]:	7
Panel Hole Ø [mm]:	5.5
Panel Thickness [mm]:	1,4 - 1,6
Thread Size:	M4
Weight:	0.79g
Conformities:	



You can find all information on the web on our article detail page



Would you like individual advice?

We look forward to your email to products@ettinger.de.

Subject to change and errors.