

Article datasheet

## DIN-Modular Cases DIN IEC 61554 / for horizontal PCB insertion

Article-No.: 093.78.410

Manufacturer: OKW Gehäusesysteme

Manufacturer article-no.: A9842421



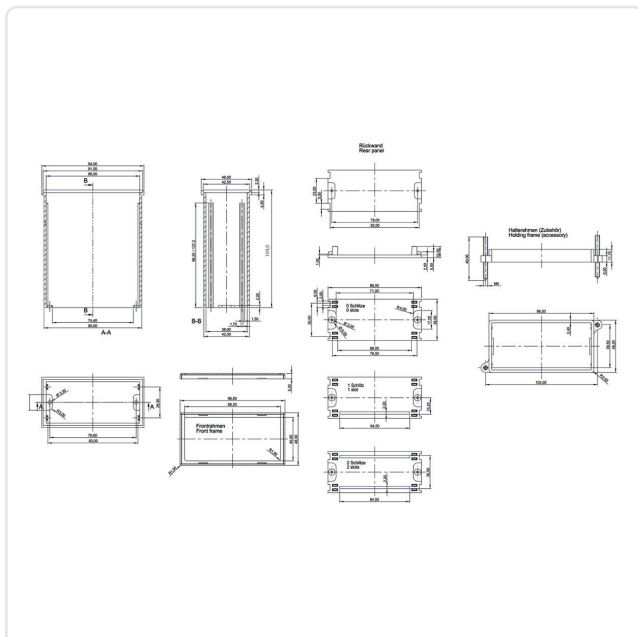
Image may be similar

Color: Black  
 Height [mm]: 48  
 Length [mm]: 109  
 Material: Noryl GFN3  
 Material Group: Kunststoff  
 Model: Enclosure with Front Frame  
 Width [mm]: 96  
 Weight: 77g

Conformities:



You can find all information on the web on our article detail page



Would you like individual advice?

We look forward to your email to [products@ettinger.de](mailto:products@ettinger.de).

Subject to change and errors.