




Article datasheet

Split Washer DIN127 B $\text{\O}6.1/11.8 \times 1.6$ Galvanized Spring Steel

Article-No.: 003.63.061

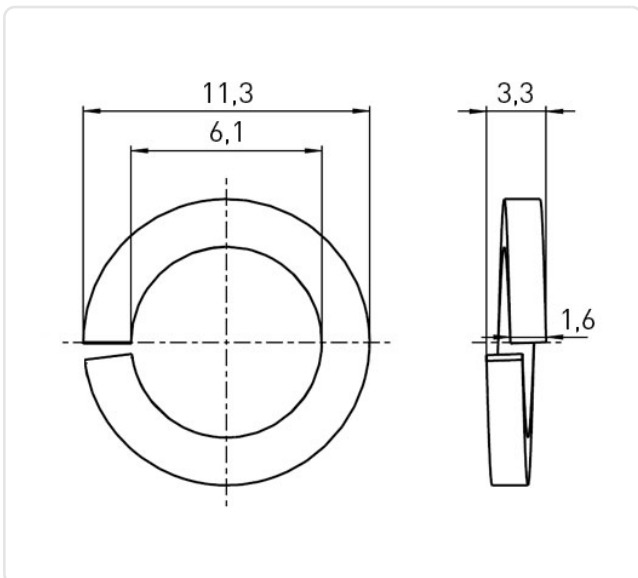


Image may be similar

DIN/ISO:	DIN127B
Finish:	Galvanized, Blue, 5 μm , A2K
For Thread Size:	M6
Height [mm]:	1.6
Inner Diameter [mm]:	6.1
Material:	Spring Steel
Material Group:	Steel
Outer Diameter [mm]:	11.8
Weight:	0.78g
Conformities:	  



You can find all
information on the web on
our article detail page



Would you like individual advice?

We look forward to your email to products@ettinger.de.

Subject to change and errors.