

Article datasheet

Fuseholder PCB mount 5x20 Typ FAF Bayonet type fuse carrier slotted

Article-No.: 015.09.535

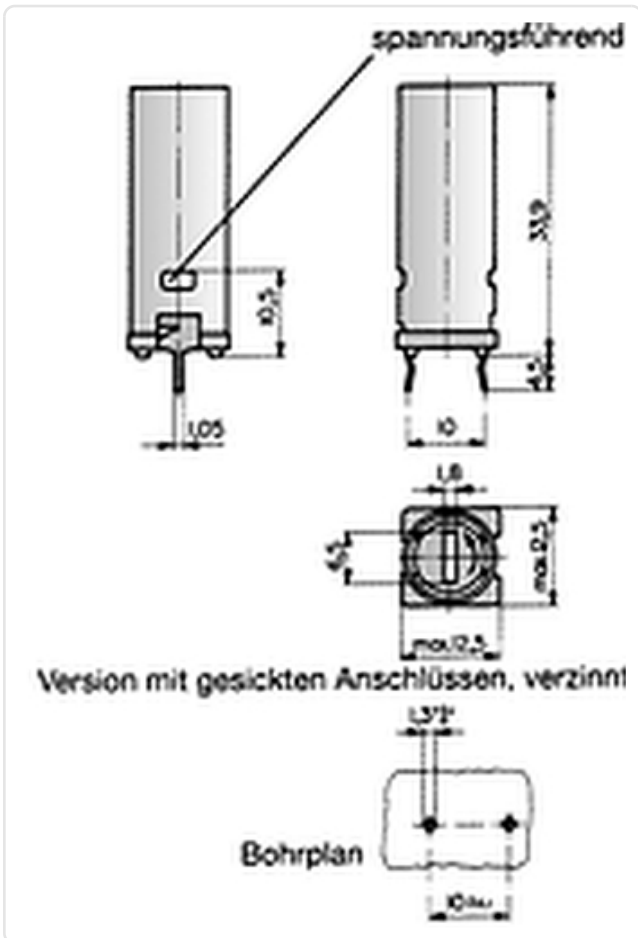


Image may be similar

Amperage [A]: 6.3
Fuse Size [mm]: 5.0x20.0
Material: PA 6.6
Material Group: Kunststoff
Model: Fuse Holder
Protection Code: IP40
Weight: 6.6g
Conformities:



You can find all information on the web on our article detail page



Would you like individual advice?

We look forward to your email to products@ettinger.de.

Subject to change and errors.