

Article datasheet

## Solderless terminal DIN 46230 16mm<sup>2</sup> E-copper tinned not insulatet

Article-No.: 018.58.725

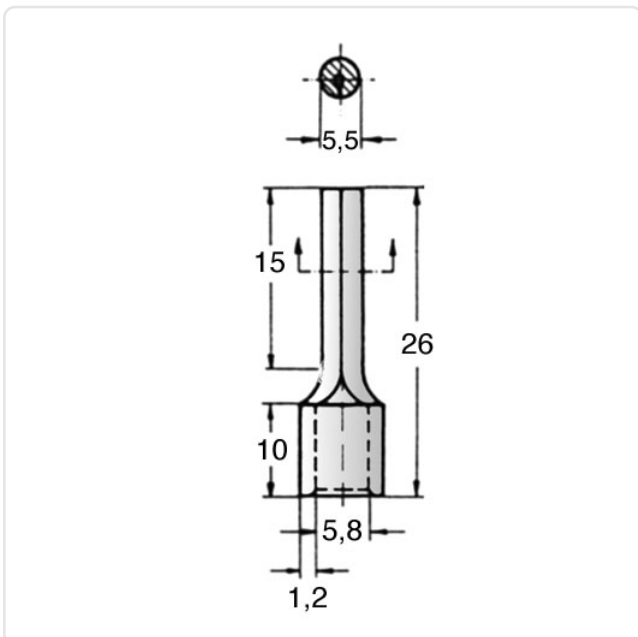


Image may be similar

Color: Silver  
DIN/ISO: DIN46230  
Finish: Tin-Plated  
Material: Electrolytic Copper  
Wire Cross Section [mm<sup>2</sup>]: 16  
Weight: 4.11g  
Conformities:



You can find all  
information on the web on  
our article detail page



Would you like individual advice?

We look forward to your email to [products@ettinger.de](mailto:products@ettinger.de).

Subject to change and errors.