

Article datasheet

## Battery contact SMT for AAAA + A27 Spring steel,nickel-plated

Article-No.: 015.77.503

Manufacturer: Keystone Electronics

Manufacturer article-no.: 50TR

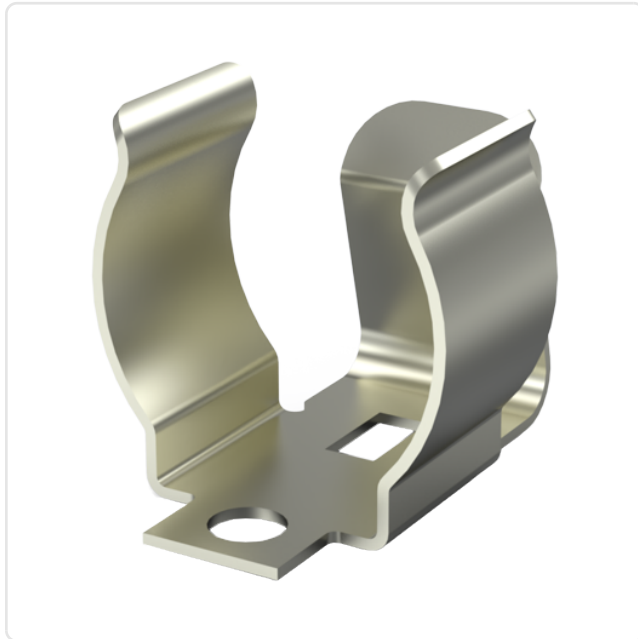


Image may be similar

Finish: Nickel-Plated, 3 µm, E1E

Material: Steel

Material Group: Steel

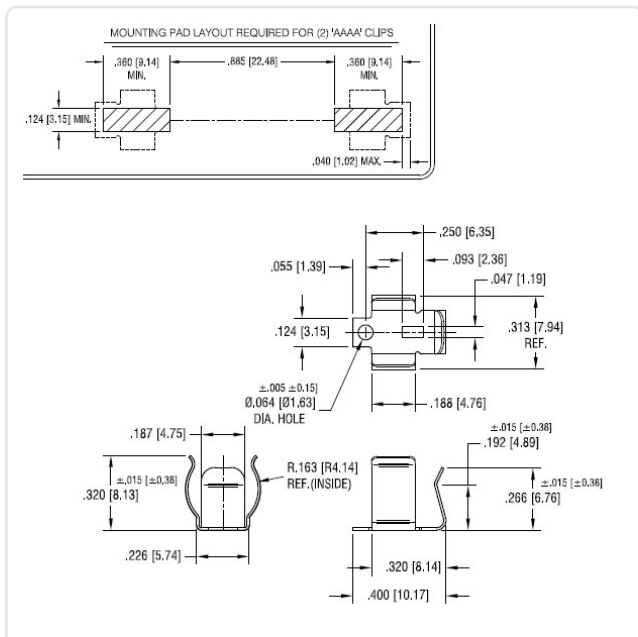
Width [mm]: 7.9

Weight: 1050g

Conformities:



You can find all information on the web on our article detail page



Would you like individual advice?

We look forward to your email to [products@ettinger.de](mailto:products@ettinger.de).

Subject to change and errors.