

Article datasheet

Jumper 2.54mm insulated black Phosphorbronze gold-plated

Article-No.: 013.57.200

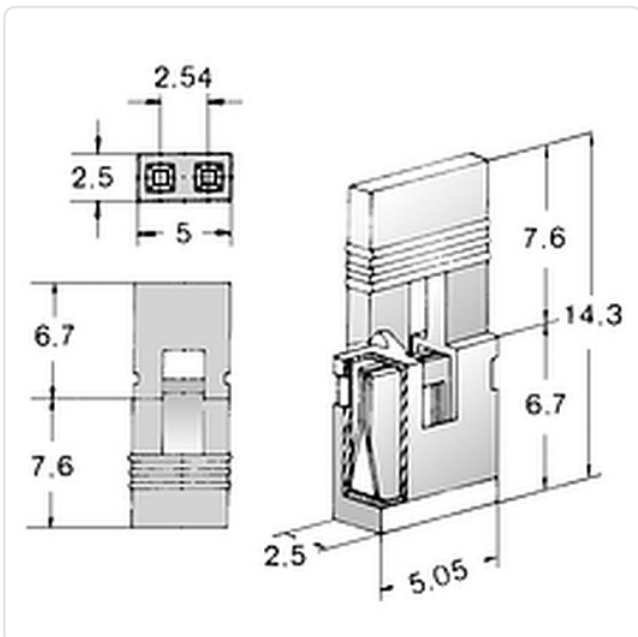


Image may be similar

Finish: Gold-Plated
Grid [mm]: 2.54
Material: Phosphor Bronze
Material Group: Bronze
Plug-In Length [mm]: 6
Weight: 0.11g
Conformities:



You can find all information on the web on our article detail page



Would you like individual advice?

We look forward to your email to products@ettinger.de.

Subject to change and errors.