

Article datasheet

## Spring-Type Straight Pin ISO13337 Ø3x16 Spring Steel

Article-No.: 084.00.0316

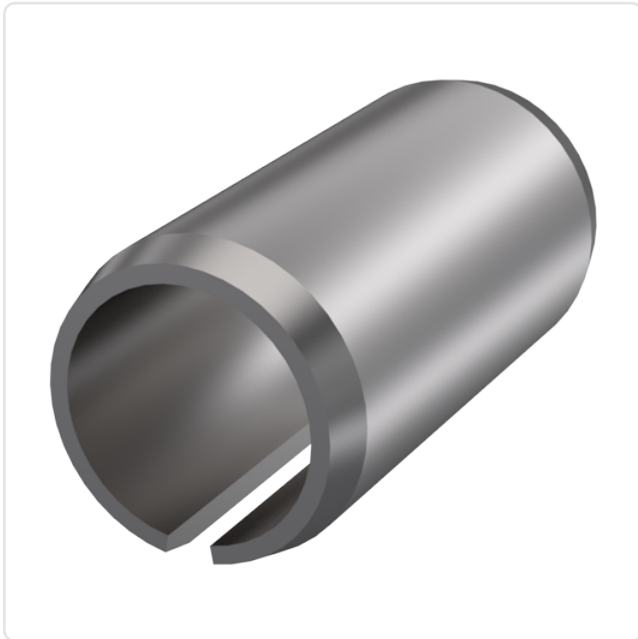


Image may be similar

DIN/ISO: ISO13337  
Diameter [mm]: 3  
Length [mm]: 16  
Material: Spring Steel  
Material Group: Steel  
Conformities:



You can find all  
information on the web on  
our article detail page

Would you like individual advice?

We look forward to your email to [products@ettinger.de](mailto:products@ettinger.de).

Subject to change and errors.

