

Article datasheet

Sealing Washer EPDM gray Ø5.3/12.0 x 2.8 A2 Plain Stainless Steel

Article-No.: 003.07.731

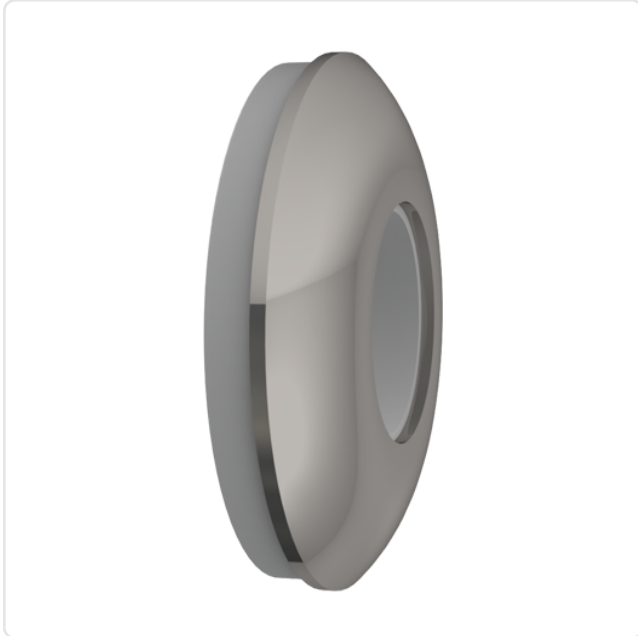
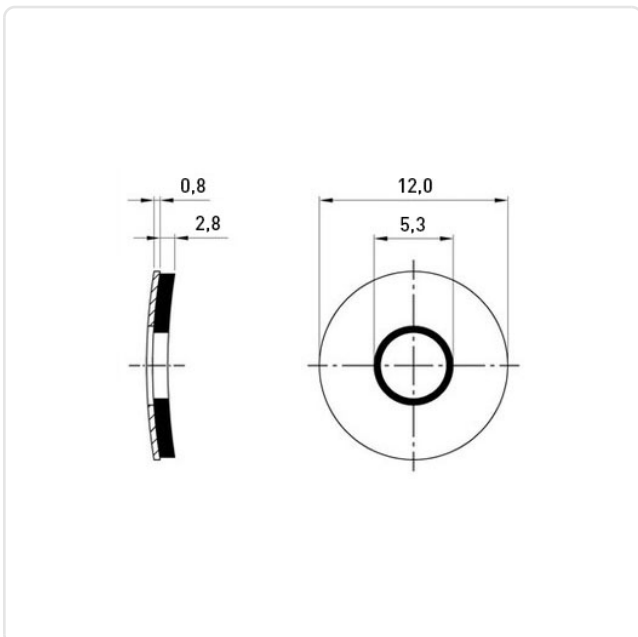


Image may be similar

Finish: Plain
Height [mm]: 2
Inner Diameter [mm]: 5.3
Material: Stainless Steel AISI 304 / A2
Material Group: Stainless Steel
Outer Diameter [mm]: 12
Weight: 0.77g
Conformities:



You can find all
information on the web on
our article detail page



Would you like individual advice?

We look forward to your email to products@ettinger.de.

Subject to change and errors.