

Article datasheet

Solderless Terminal DIN46234 for M2 Copper tinned 0.1-0.5mm AWG26-22

Article-No.: 018.60.415

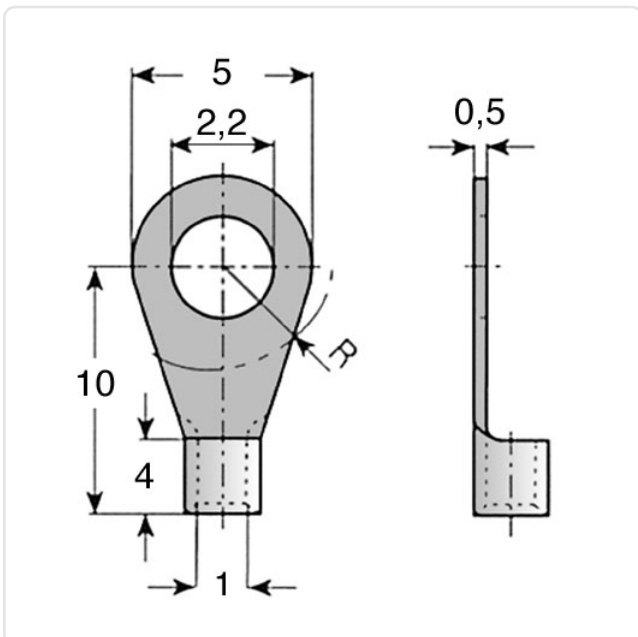


Image may be similar

DIN/ISO:	DIN46234-A
For Thread Size:	M2
Inside Dia.D1 [mm]:	1
Material:	Electrolytic Copper
Outer Diameter [mm]:	5
Wire Cross Section [mm ²]:	0.1-0.5
Weight:	0.2g
Conformities:	



You can find all information on the web on our article detail page



Would you like individual advice?

We look forward to your email to products@ettinger.de.

Subject to change and errors.